

NEONMACH



📍 SARAY MAHALLESİ, 1. CADDE 66/B
KAZAN / ANKARA TÜRKİYE
☎ +90 505 475 60 81
✉ info@neonmach.com
🌐 www.neonmach.com

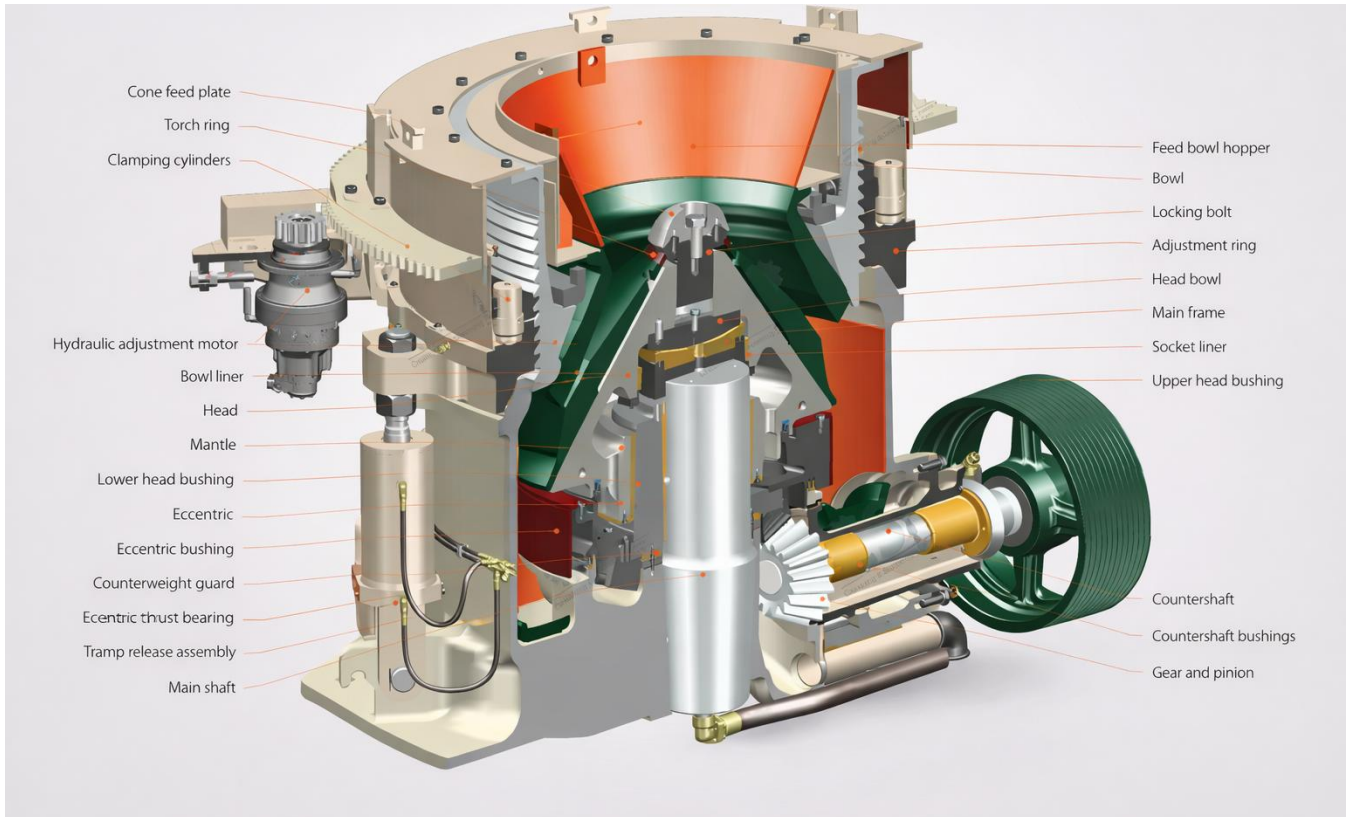
SPARE
PARTS
BROCHURE

CONE CRUSHER SPARE PARTS



NEONMACH cone crusher spare parts are developed to ensure precision crushing and long-term reliability. Manufactured from high-grade materials, our components provide excellent resistance to wear and fatigue under continuous operation.

Designed for perfect compatibility with leading crusher brands, these parts support stable performance, optimal product size, and reduced maintenance intervals. From mantles and concaves to bushings and mechanical components, NEONMACH delivers dependable solutions for demanding quarry and mining applications.



Mantle Bowl Liner



Torch Ring



Feed Cone



Head Bolt



Counterweight Liner



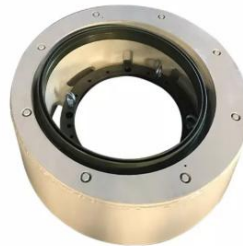
Main Frame Liner



Bowl Adapter Ring



Socket



Counterweight Assembly



Eccentric Assembly



Adjustment Ring



Main Frame Assembly



Main Shaft



Countershaft Assembly



Arm Guard



Head Lower Bushing



Head Upper Bushing



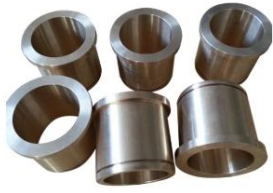
Eccentric Bushing



Socket Liner



Upper Thrust Bearing



Frame Pin Bushing



Frame Seat Liner



Countershaft Bushing



Oil Flinger



Clamping Cylinder Assembly



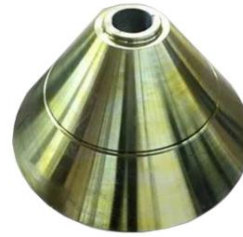
Tramp Release Cylinder



Head Ball



Bowl Assembly



Head Assembly



Hydraulic Adjustment Motor



Hydraulic Jack



Pinion Drive Gear



Lubrication Pump



U Seal T Seal



Wedge



Hopper Assembly



Lubrication Oil Filter



Hydraulic Oil Filter



Air Filter



Piston Seal



Spherical Nut



Bolt Square Head



Protective Bellow

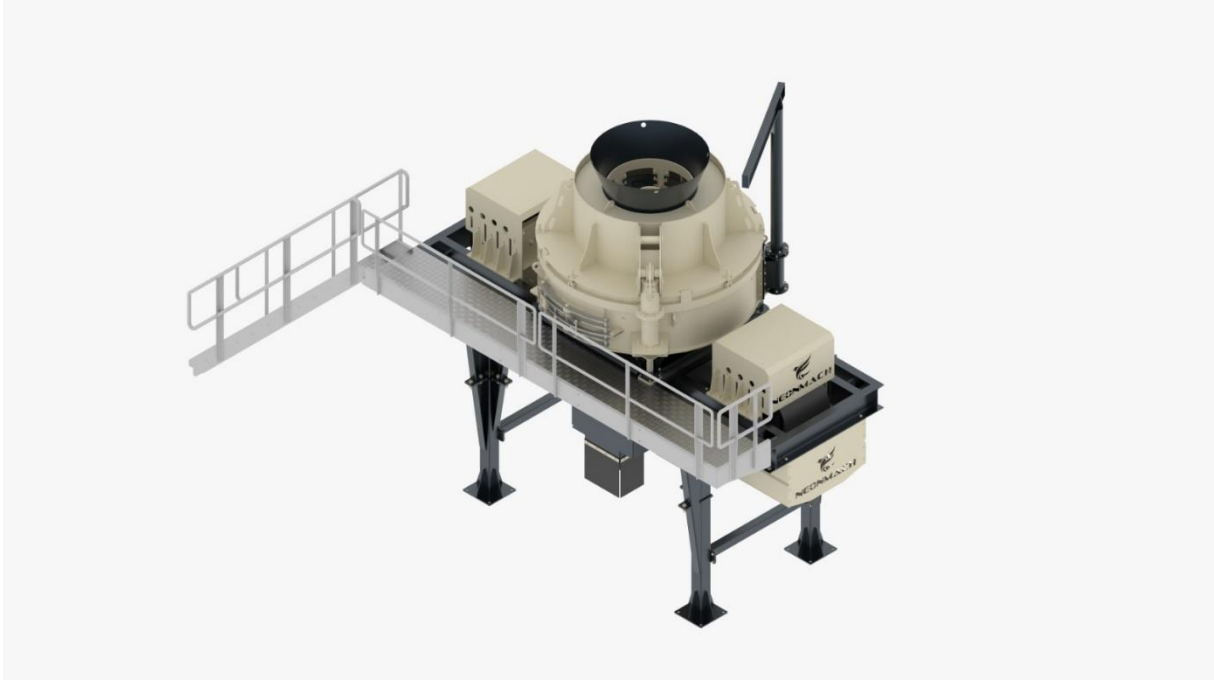


Main Frame Pin



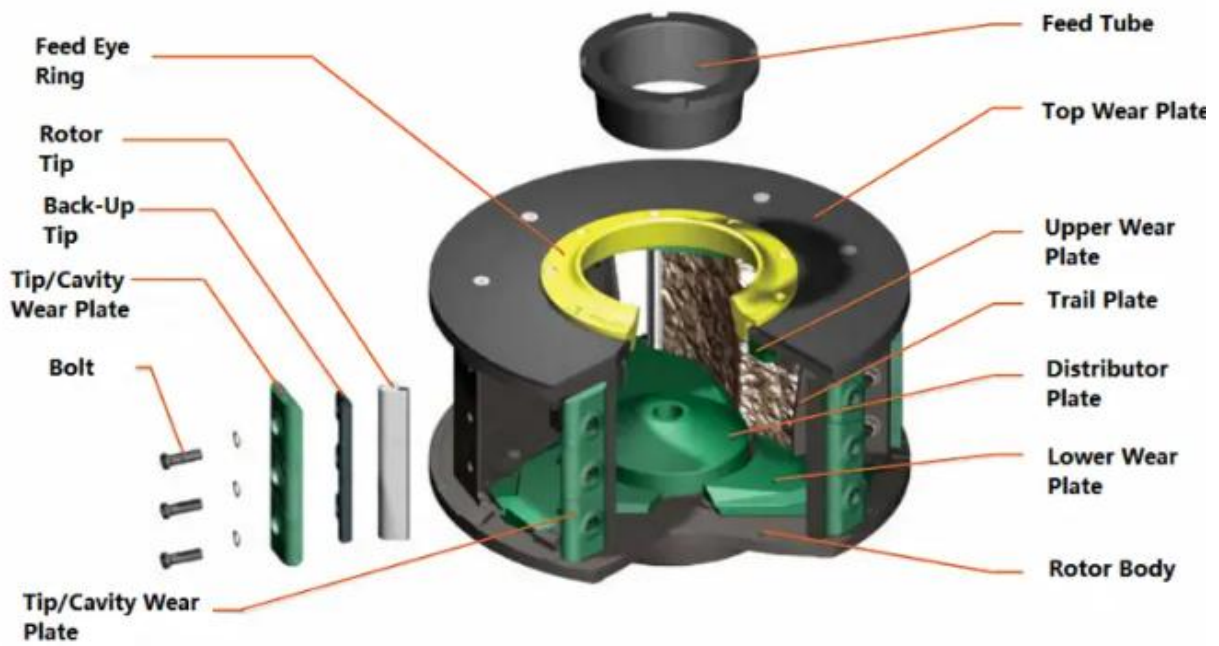
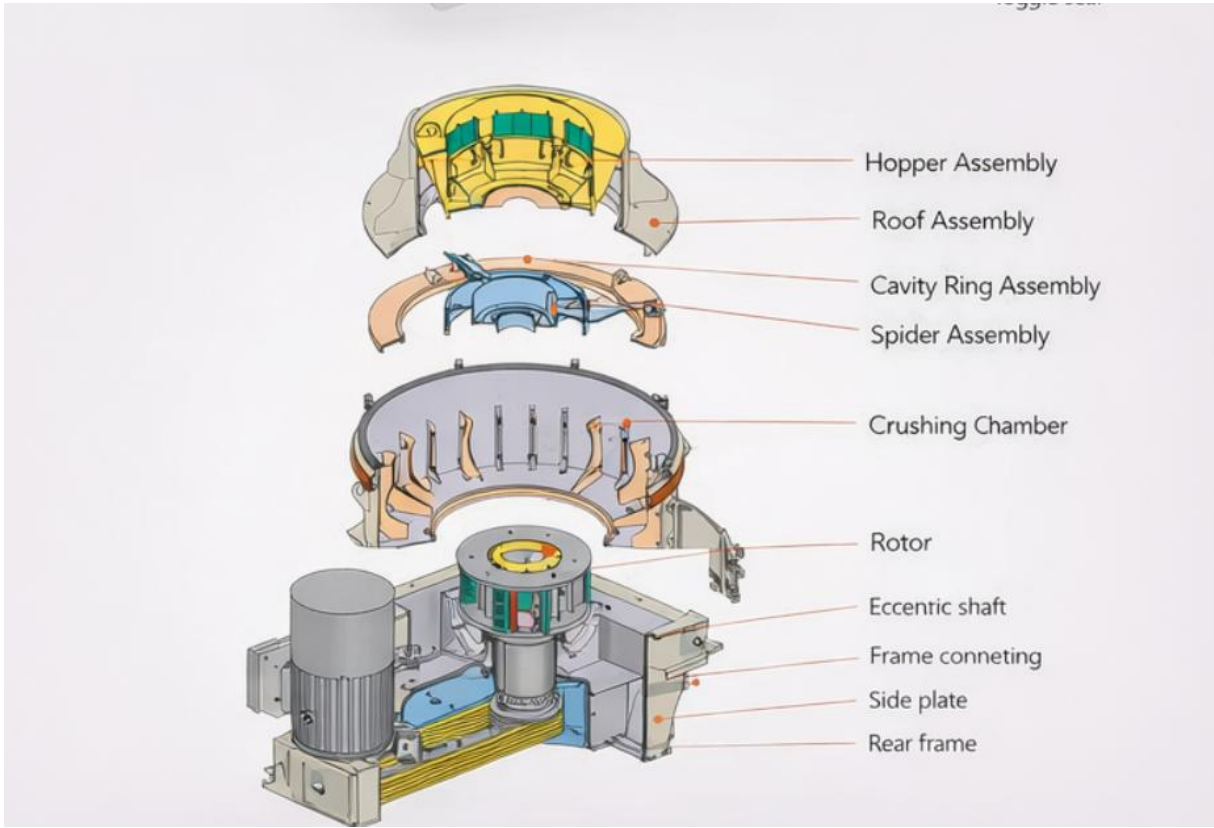
Sensors

VERTICAL SHAFT IMPACT CRUSHER SPARE PARTS



NEONMACH VSI spare parts are engineered to deliver superior performance in high-speed crushing applications. Manufactured from high-quality alloys, our wear parts provide excellent resistance against abrasion and impact, ensuring consistent product shape and grading.

Designed for perfect compatibility and easy installation, these components help reduce downtime and maintenance costs. Ideal for demanding applications such as sand production and fine crushing, NEONMACH VSI parts guarantee reliability, efficiency, and extended service life.





Wear Plate Outer



Tip Set



Lower Wear Plate



Upper Wear Plate



Wear Plate Middle



Distributor



Distributor



Distributor



Feed Eye Ring



Feed Tube



Hub



Rotor Installation Plate



Backup Tip Set



Trail Plate



Rotor Upper Wear Plate



Rotor



Shaft Assembly



Spider Assembly



Tapered Sleeve



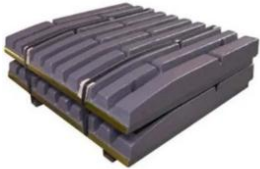
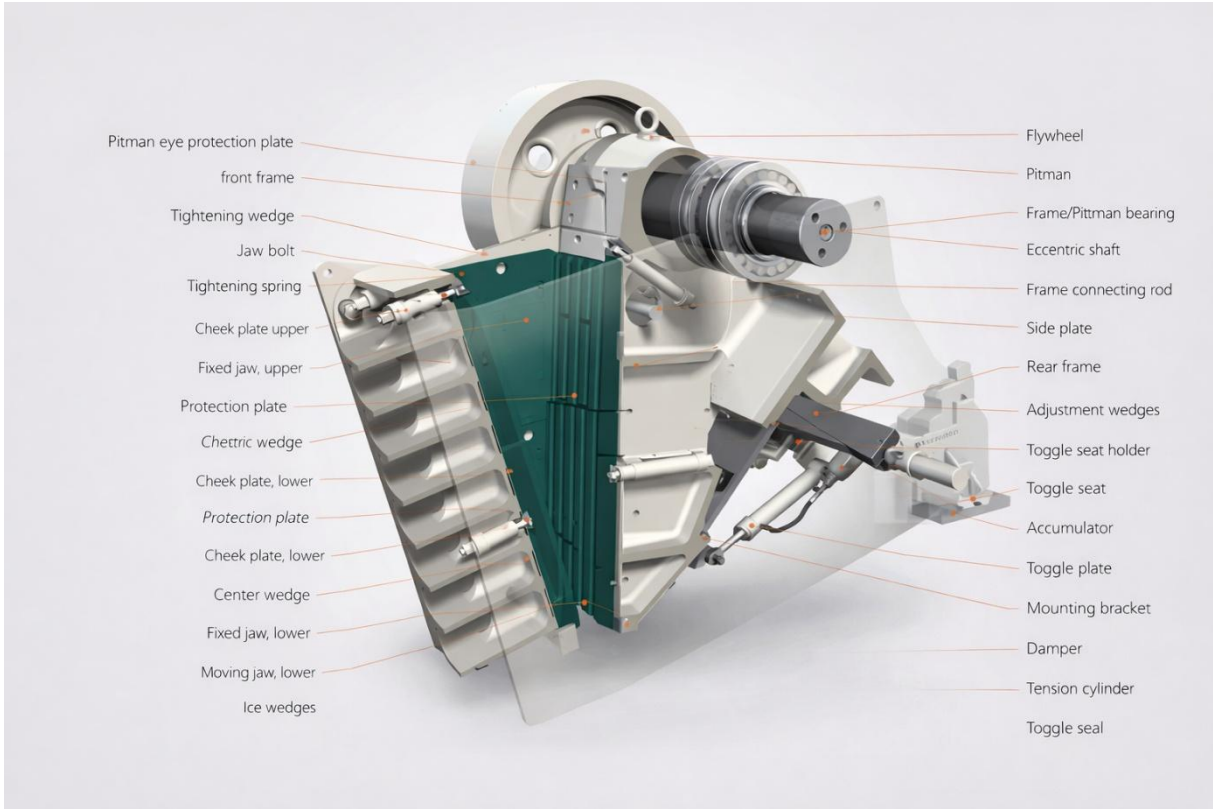
Rotor

JAW CRUSHER SPARE PARTS

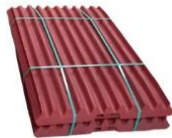


NEONMACH jaw crusher spare parts are designed to withstand the toughest crushing conditions while maintaining optimal performance. Produced with high manganese steel and advanced casting techniques, our parts offer excellent durability and wear resistance.

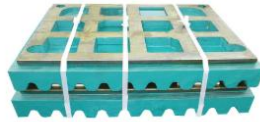
Precision-engineered components ensure proper fitment, improved crushing efficiency, and reduced operational downtime. From fixed and moving jaw plates to cheek plates and wedges, every part is developed to provide long-lasting and stable operation in primary crushing applications.



Jaw Plate



Jaw Plate



Jaw Plate



Cheek Plate



Jaw Plate



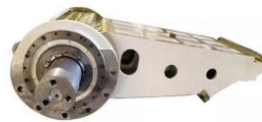
Cheek Plate



Wedge



Wedge



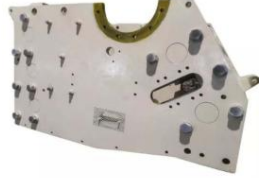
Pitman



Cheek Plate



Front Frame



Frame Side Plate



Toggle Seat Holder



Toggle Seat



Pitman



Main Shaft



Flywheel



Flywheel



Return Rod



Toggle Plate



Spring



Vibration Damper



Roller Bearing



Conical Clamping Ring



Return Rod Damper



Hammer Screw



Motor



Jaw Plate

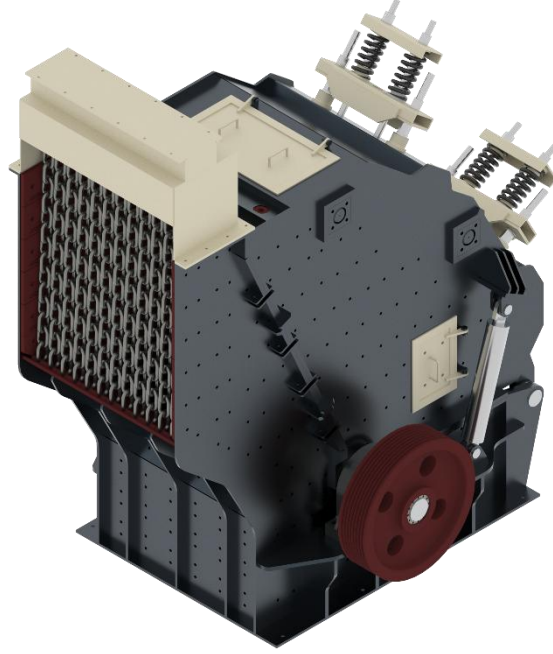


Spring Joint

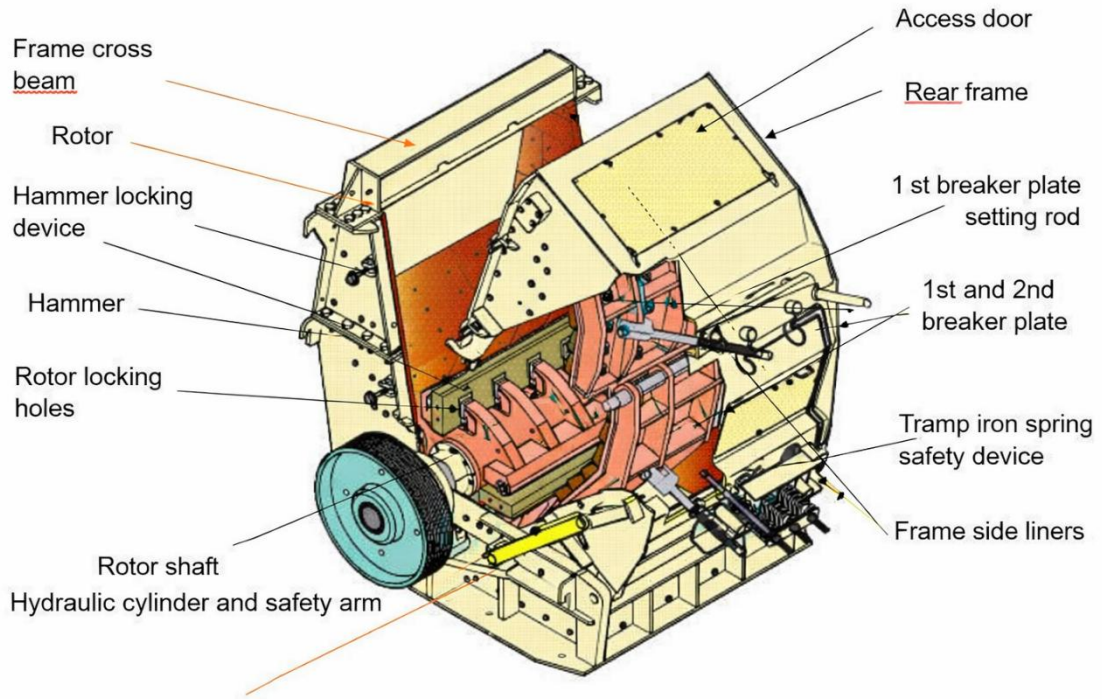


Bearing Housing

IMPACT CRUSHER SPARE PARTS



NEONMACH offers impact crusher spare parts designed to absorb high energy loads while maintaining structural integrity. Our wear components are engineered to perform under repeated impact conditions, delivering efficient material reduction and uniform output. The optimized design contributes to better rotor balance, reduced vibration, and longer service intervals. With easy installation and consistent quality, NEONMACH impact parts help maintain productivity and lower operating costs.



Blow Bar



Breaker Bar



Breaker Bar



Breaker Bar



Blow Bar



Hammer



Grinder



Breaker Bar



Yan Astar-Side Liner



Side Liner



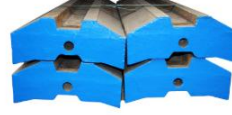
Blow Bar



Blow Bar



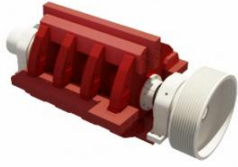
Palet Sıkma Kaması



Blow Bar



Liner Bolt



Rotor-Rotor



Crusher



Rotor



Breaker-Bar



Breaker Bar



Middle Liner



Upper Liner



Middle Liner



Breaker



Frame Liner

VIBRATING SCREEN SPARE PARTS



Vibrating screens are essential for efficient material separation in mining, construction, and aggregate industries. High-quality spare parts ensure consistent performance, minimal downtime, and extended equipment life. Our vibrating screen spare parts are designed for durability, precision, and reliability.

Key Spare Parts:

Screen Mesh

Premium wire mesh designed for maximum screening efficiency and long service life. Suitable for various materials and mesh sizes.

Motor

High-performance motors that provide consistent vibration amplitude for optimal material separation.

Spring Assembly

Durable springs that absorb shocks and maintain screen stability under heavy loads.

Side Plate

Robust steel side plates offering structural integrity and resistance to wear.

Top Cover

Protective covers to prevent dust and debris from entering the mechanism, extending component life.

Eccentric Shaft

Precision-engineered shafts for smooth vibration and balanced operation.

Rubber Mounts

Shock-absorbing mounts that minimize vibration transfer to the frame and surrounding structure.

Deck Plate

Supports the mesh and material load, ensuring stable and efficient screening.

Clamp Bolt Set

High-strength bolts to secure mesh panels firmly in place, ensuring safety and performance.

Lubrication System Components

Essential parts for smooth operation of motors and shafts, reducing wear and maintenance needs.

Why Choose Our Parts:

High-quality materials and precision engineering.

Designed for long-term durability and efficiency.

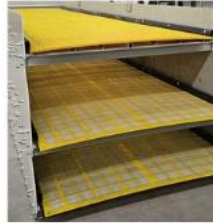
Easy installation and compatibility with multiple vibrating screen models.



Screen Meshes



Anti Clogging Screen Meshes



Poliurethane Panel Screen



Poliurethane Panel Screen



Screen Spring



Rubber Vibrating Damper



Screening Rubber Strips



Tensioning Bolt Set



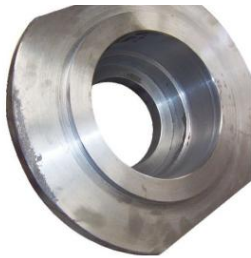
U and J bolt set



Screening Tensioning Sheet



Sprinkler



Front Frame



Frame Side Plate



Cardan Shaft



Electrical Motor

CONVEYOR SPARE PARTS



NEONMACH conveyor spare parts are engineered to support smooth and efficient material flow across all stages of crushing and screening plants. With a focus on reliability and operational continuity, our components are designed to withstand harsh working conditions and heavy-duty use.

Precision manufacturing ensures proper alignment and reduced friction, contributing to energy efficiency and longer system lifespan. NEONMACH delivers practical and durable solutions for uninterrupted material handling.



Impact Roller



Conveyor Belts



Herringbone Pallette Conveyor Belt



Tension Drum



Roller



Gearbox Reducer



Impact Bar



Belt Scraper



Tension Drum



Belt Magnet



Belt Metal Dedector



Gearbox motor reducer



Belt Brake



Rotor Upper Wear Plate



Belt Cleaner Brushes



Take up ball bearing unit



Roller Bearing Housing



Roller Bearing and Sleeve



V Belt and Pulley

CONCRETE BATCHING PLANT SPARE PARTS



Reliable Operation Starts with the Right Spare Parts

Concrete batching plants operate under heavy-duty conditions and continuous production cycles. To maintain performance and avoid costly downtime, using the right spare parts is essential.

NEONMACH spare parts are designed to ensure long service life, stable operation, and maximum efficiency for your equipment.

Why Spare Parts Matter

In concrete production, even a small component failure can stop the entire system. High-quality spare parts:

- Extend equipment lifetime
- Reduce unexpected breakdowns
- Maintain consistent production quality
- Lower maintenance costs

NEONMACH focuses on durability and precision manufacturing to keep your plant running smoothly.

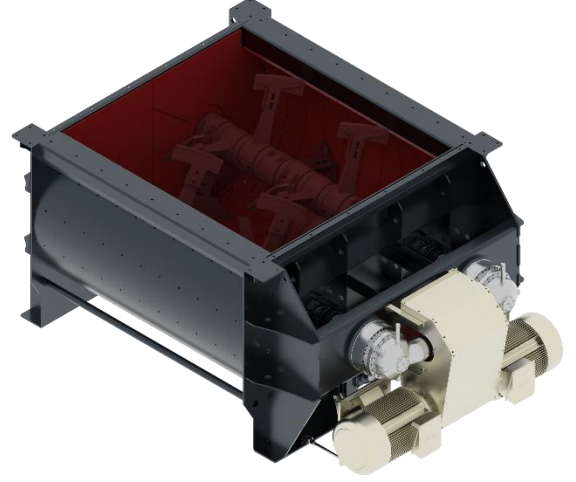
NEONMACH Spare Part Range

We offer a complete range of spare parts compatible with various concrete batching plant systems:

Mixer Wear Parts

- Mixer blades
- Mixer arms
- Side and bottom liners

Designed for high abrasion resistance and long-term use.



Material Transfer Equipment

- Screw conveyors
- Conveyor components
- Drive systems

Ensure continuous and efficient material flow.



Filtration & Control Components

- Dust filters
- Valves
- Pneumatic system parts

Reliable performance under harsh environmental conditions.

Consumables

- Seals
- Rubber parts
- Fast-wearing components

Easy replacement, optimized for long service intervals.

Compatibility & Application

NEONMACH spare parts are suitable for:

- Twin Shaft Mixers
- Single Shaft Mixers
- Planetary Mixers
- Aggregate feeding systems
- Cement silos and auxiliary equipment



Quality & Cost Advantage

All NEONMACH spare parts are:

- Manufactured from high-quality raw materials
- Produced with strict quality control standards
- Designed for extended service life

This ensures reduced downtime and optimized operating costs.

What to Consider When Choosing Spare Parts

- **Compatibility:** Must match your equipment specifications
- **Material Quality:** Critical for wear resistance
- **Availability:** Fast delivery minimizes production loss
- **Support:** Technical assistance when needed

Fast Supply & Technical Support

NEONMACH provides:

- Fast spare part supply
- Stock availability for critical components
- Technical support for installation and maintenance

NEONMACH Spare Parts Solutions

Keep your concrete batching plant running safely and efficiently with NEONMACH spare parts.

Reliable parts. Continuous production.